

# TB082 (Rev1) - Jog Panel Firmware Update

---

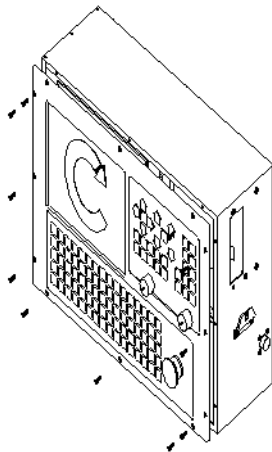
## Overview

This document describes the procedure for installing the firmware update micro-controller jogpic on the M400 jog panel. This is needed only if you are experiencing problems with the jog panel going offline and the date code on the jogpic (or jogmpg) micro-controller is before 991130. To find out what firmware version is on the jog panel you will need to follow steps 1-3 in order to look at the label on the microcontroller.

## Installation Procedure

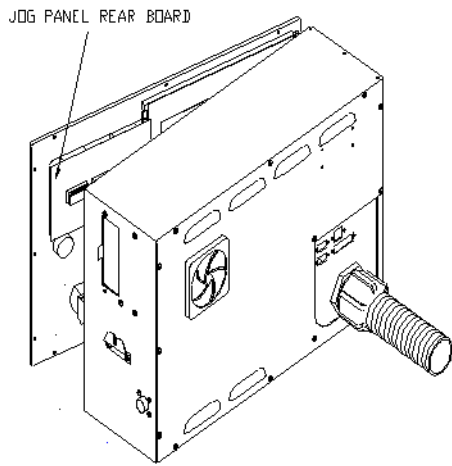
1. Remove the M400 control console from the mounting arm and place it on a clean surface free of coolant and metal chips, (typically the table on the machine with a clean rag under the M400 console).

**Figure 1:**

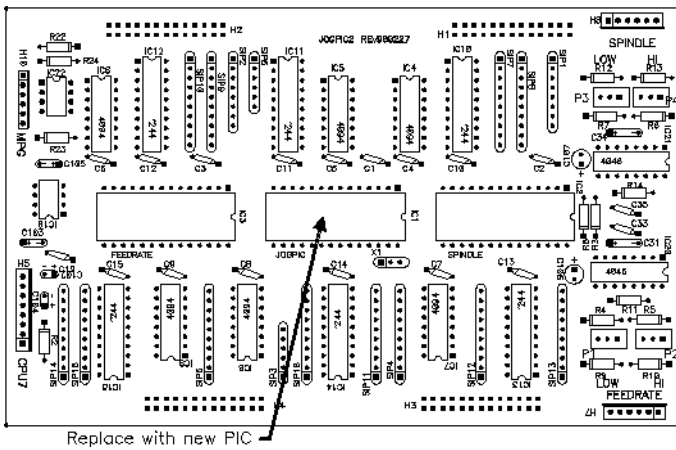


2. Remove the 12 cap head 6-32 screws from the front panel of the M400 control console as illustrated in figure 1.
3. Pull the side of the front panel closest to the floppy drive door away from the main body of the console till you have clear access to the jog panel rear board as illustrated in figure 2. Be careful not to pull any of the cables or wiring loose as you do this.
4. Remove the micro-controller chip labeled JOGPIC from the center socket as illustrated in Figure 3, and replace it with the new micro-controller chip provided. Make sure the dimple in the chip lines up with the silk-screening on the board and align all the pins on the chip into the corresponding receptacle on the socket, (this may require you to bend the pins slightly.)
5. Re-install the front panel to the M400 console (making sure there are no pinched wires or cables) and re-attach the M400 console to the mounting arm on the machine.
-

**Figure 2:**



**Figure 3:**



## Document History

Rev1 Created on 1999-12-03