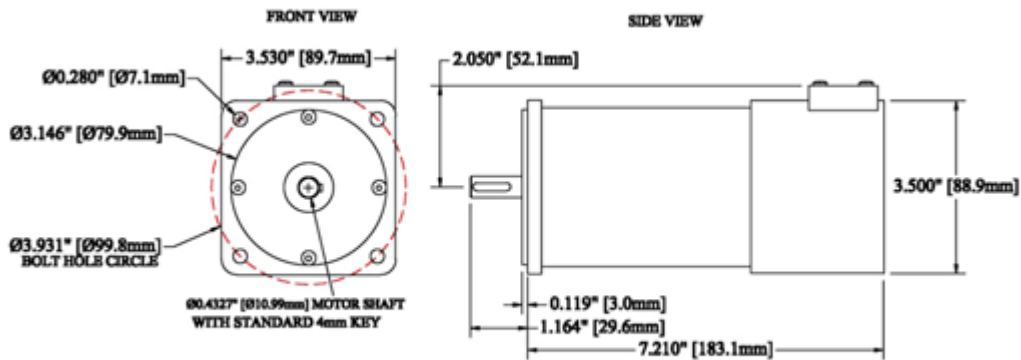


TB150 (Rev1) - Centroid Motor Dimensions

Overview

This document will help you in the process of knowing the exact measurements of the Centroid motors used. Many times you may need more detail as to how and where motors should be installed and how they will connect to the control. This is extremely helpful when you do not have the motor with you at the time of making cutouts.

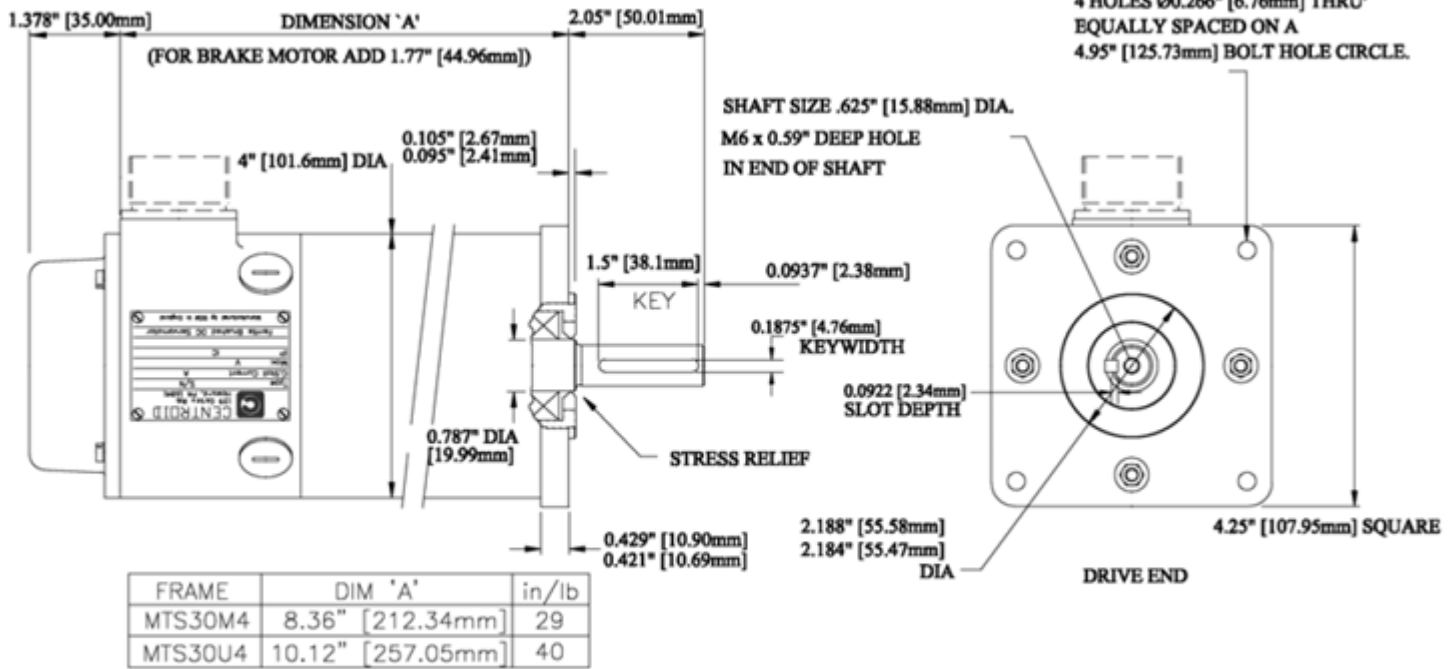
17 in. lb. DC motor diagram:



17 in-lb Servo Motor

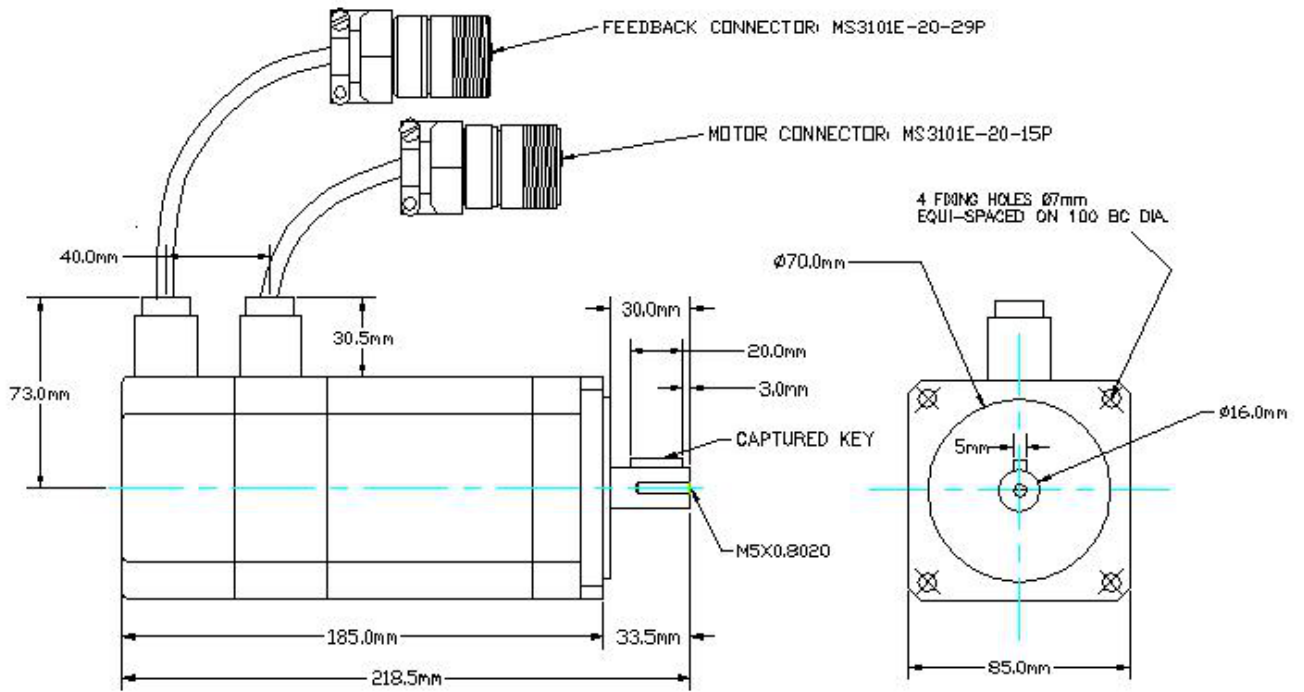
29 and 40 in. lb. DC motor diagram:

ALL DIMENSIONS IN INCHES

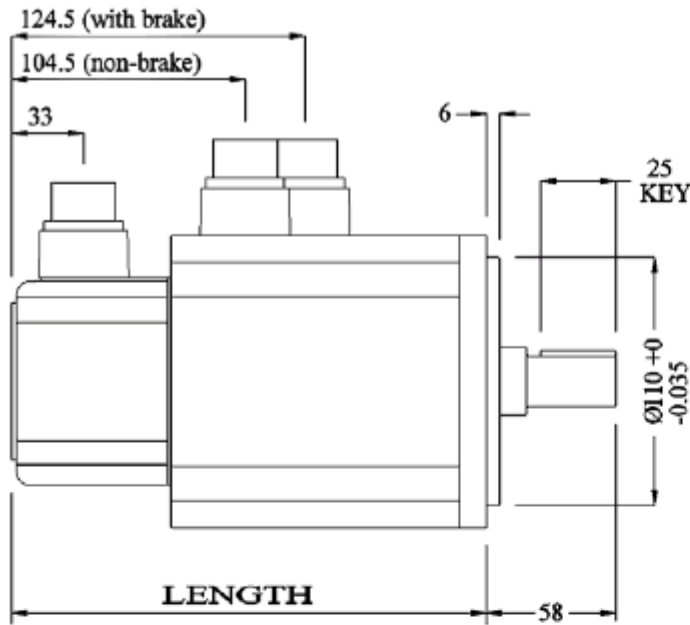


CENTROID MOTOR DIMENSIONS

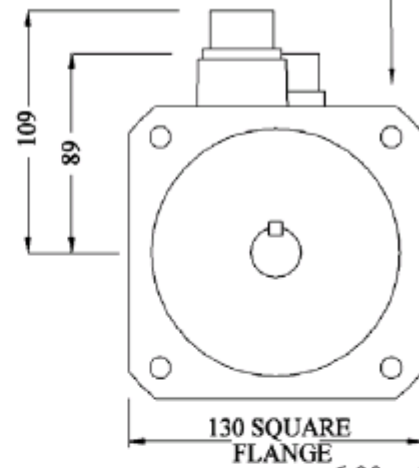
400W, 750W, 1KW and 2KW AC motor diagrams: The 750W is first and the 1KW and 2KW are listed on the next page. Where 1KW is 'A' and the 2KW is 'B'. The 400W is listed below. All dimensions are listed in millimeters only.



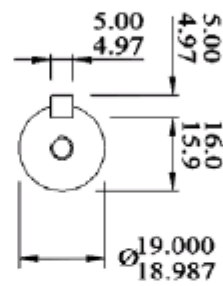
750 WATT AC BRUSHLESS MOTOR #10690



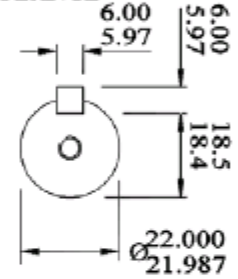
4 HOLES Ø9mm
EQUI-SPACED ON 145 BC DIA.



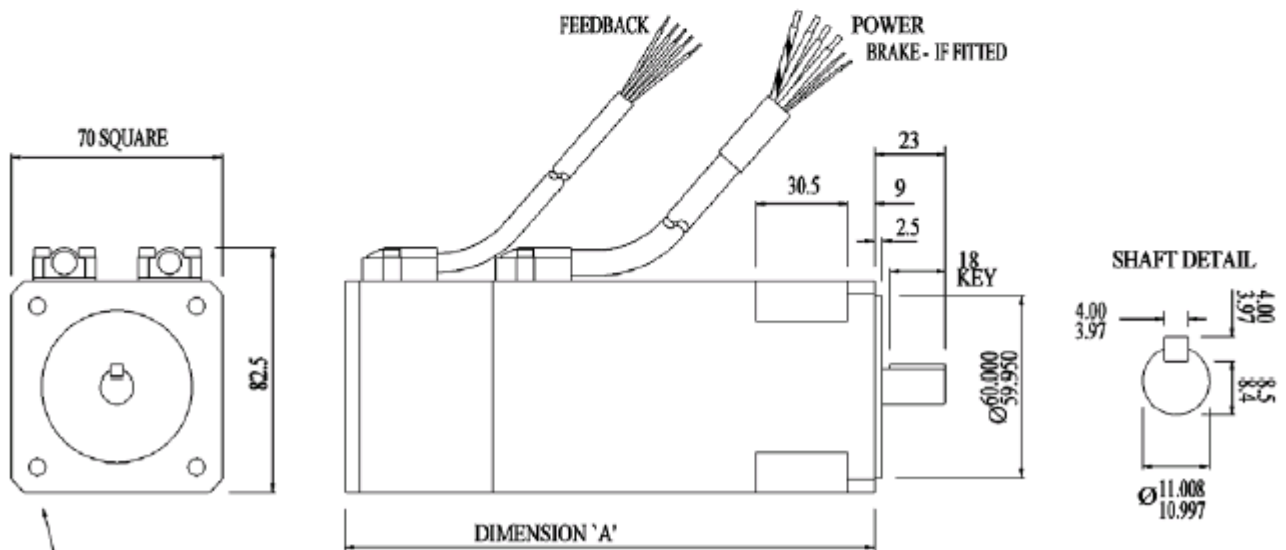
FRAME	KW	LENGTH	SHAFT DETAIL
C	1.0	216	DETAIL 'A'
G	2.0	258	DETAIL 'B'



SHAFT END
DETAIL 'A'



SHAFT END
DETAIL 'B'



4 FIXING HOLES FOR M5 CAP SCREWS
EQUI-SPACED ON 75 PCD

FRAME	KW	DIMENSION 'A'	
		NO BRAKE	WITH BRAKE
70A	0.4	149	176

Document History