

TB014 (Rev1) - RTK2 Modification Needed To Add Booster Box

Overview

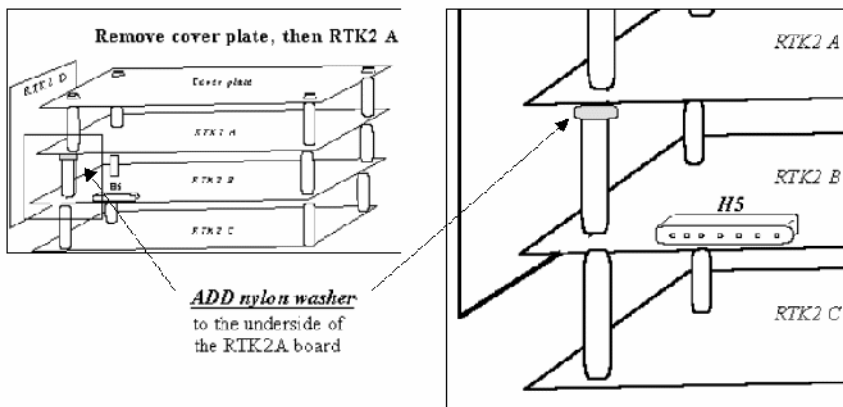
This document describes the modification that may be needed to verify proper operation of the added Booster Box feature on Centroid controls with an RTK2 PLC manufactured before April 1998.

Purpose

The purpose of this modification is to isolate the standoff in question from a close by circuit trace on bottom side of the RTK2 A board.

Procedures

- 1. Remove the four (4) locking nuts that secure the cover plate, and remove the top cover plate.
- 2. Remove the RTK2D board that mounts on the side of the assembled RTK2A, B, C boards.
- 3. Remove the four (4) standoffs that secure the RTK2A board. Gently remove the RTK2A board.
- 4. Add the nylon washer on the standoff next to header H5 on the RTK2 B board as shown in the diagram. Carefully replace the RTK2 A board.
- 5. Reassemble the RTK2 PLC.



Document History

Rev1 Created on 2000-01-06