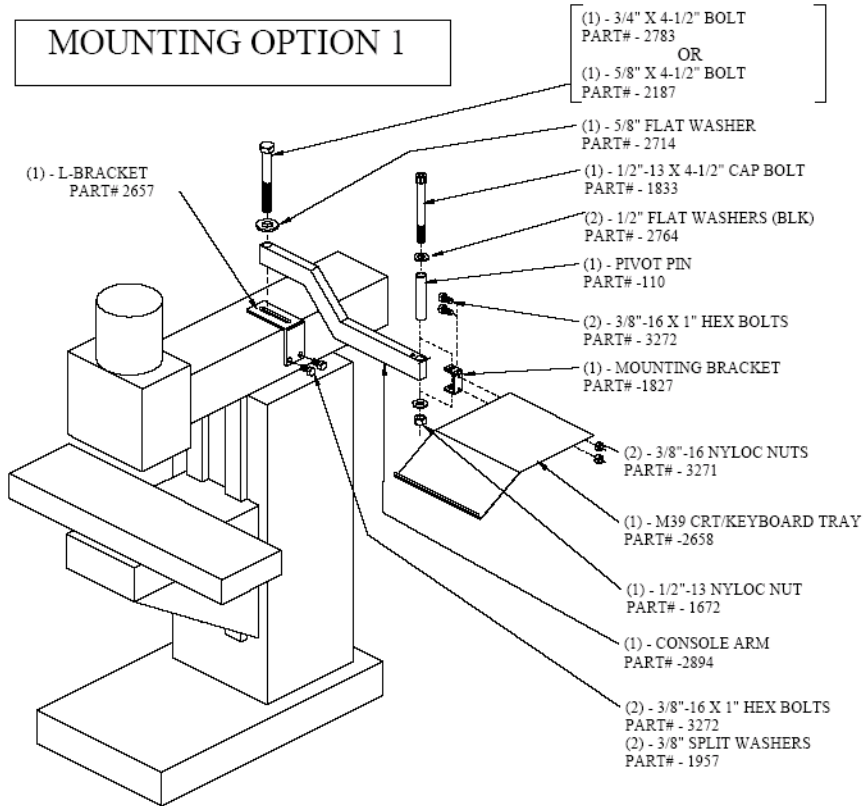
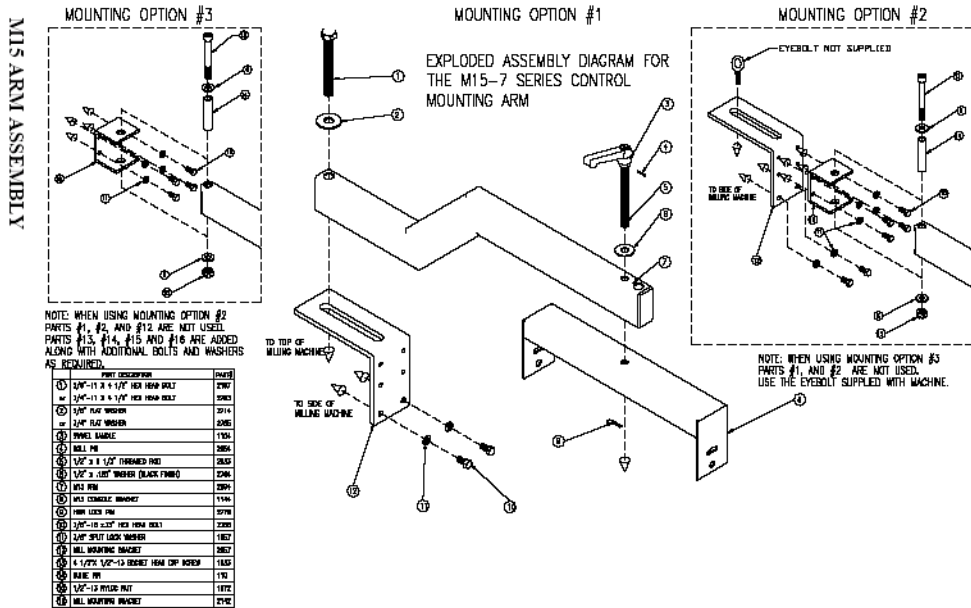
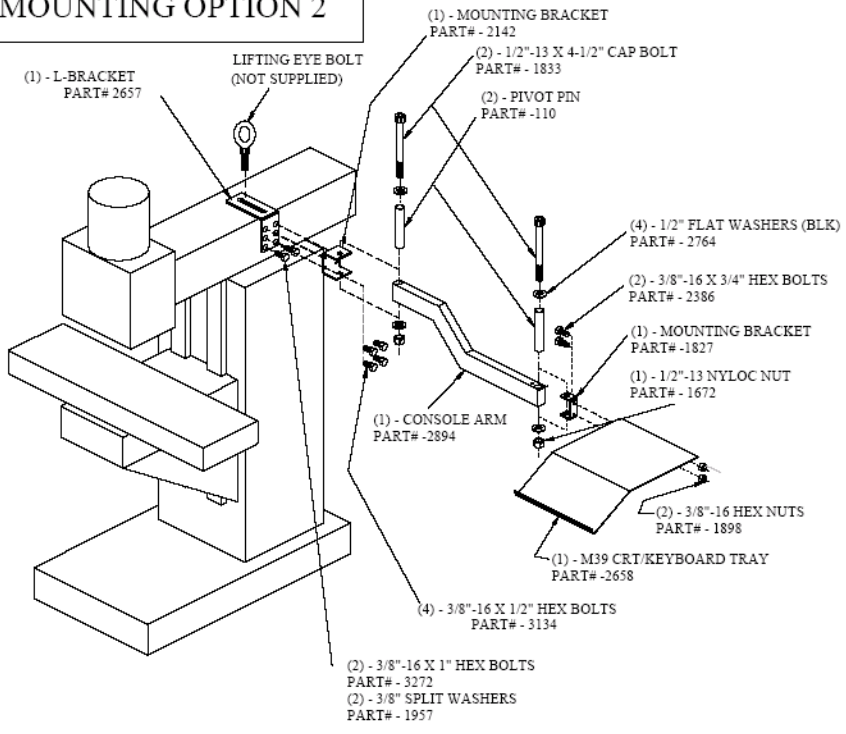


TB132 (Rev1) - Centroid Mounting Arm Options

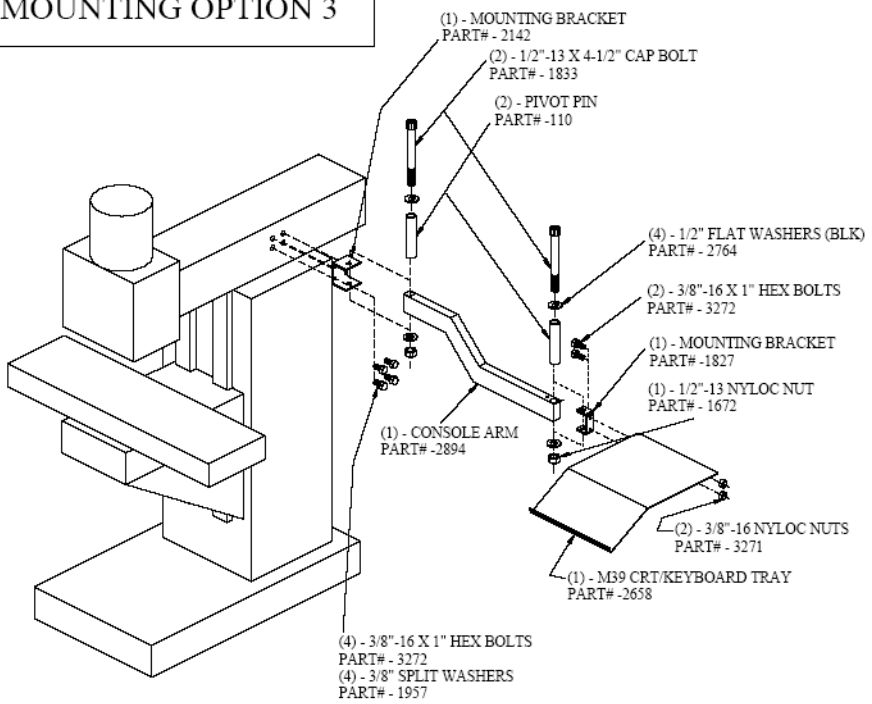


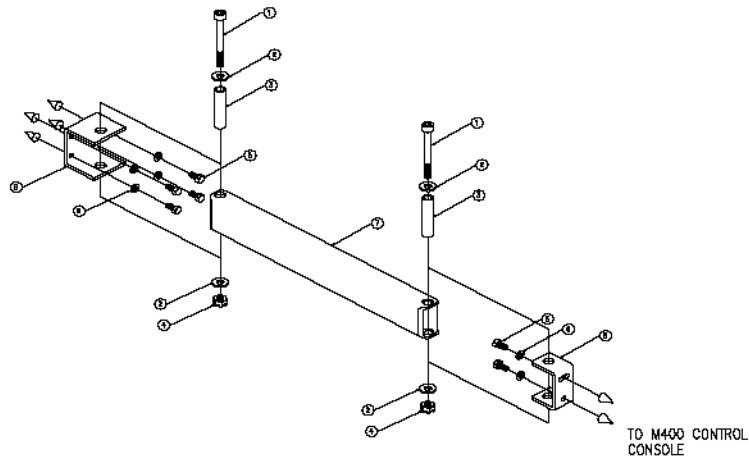
MOUNTING OPTION 2



M39 MOUNTING OPTION # 2

MOUNTING OPTION 3





EXPLODED ASSEMBLY DIAGRAM FOR
THE M400 SERIES CONTROL
MOUNTING ARM

PARTS LIST

	PART DESCRIPTION	CENTROID PART#
①	4--1/2" X 1/2" -13 SOCKET HEAD CAP SCREW	1833
②	1/2" WASHER .125" THICK (BLACK FINISH)	2784
③	GUIDE PIN	110
④	1/2" - 13 NYLOC NUT	1872
⑤	3/8"-16 X .75" HEX HEAD BOLTS	2386
⑥	3/8" LOCK WASHERS	1957
⑦	SUPPORT ARM	*REFER TO NOTE 1*
⑧	CONSOLE MOUNTING BRACKET	1827
⑨	WALL MOUNTING BRACKET	2142

NOTE 1 The Part #'s Listed Below Include The Support Arm and all Mounting Hardware shown in this Drawing.

	PART DESCRIPTION	CENTROID PART#
	21" ARM ASSEMBLY	3181
	36" ARM ASSEMBLY	3182
	48" ARM ASSEMBLY	3183
	60" ARM ASSEMBLY	3184

Document History

Rev1 Created on **2002-03-16**